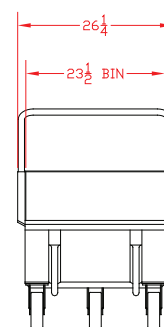
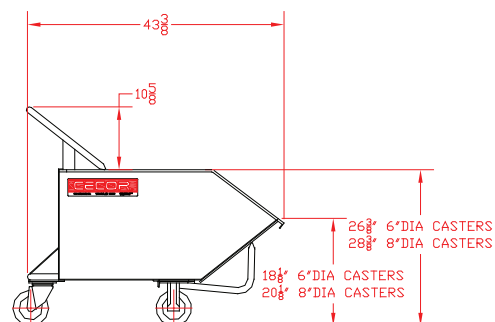


Compact industrial tilt truck for small, but heavy loads

- Dumps forward in two stages for controlled emptying. Empties completely. No need to get hands dirty.
- Low lip makes loading easier.
- Heavy-duty steel construction with fully welded seams that don't leak, melt, split, bulge or burn.
- Maneuvers easily and rolls smoothly, even when fully loaded.
- Smart design maximizes capacity while minimizing footprint thereby preserving valuable floor space.
- Proudly designed and manufactured in the U.S.A.



Specification:	048 Series
Capacity:	8 cubic feet
Load Rating:	850 lbs.
Bin Dimensions:	37" long x 24" wide x 18 1/2" deep
Lip Height:	18"
Dumping Method:	Tilt / manual
Color:	Black standard, gray optional
Wheels:	6-inch phenolic*
Add'l Options:	Drain plug Hinged drain cover <i>Inquire about other special options.</i>
Shipping Weight:	135 lbs.



*Other sizes and styles available.