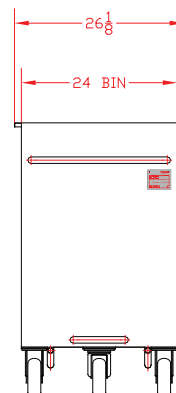
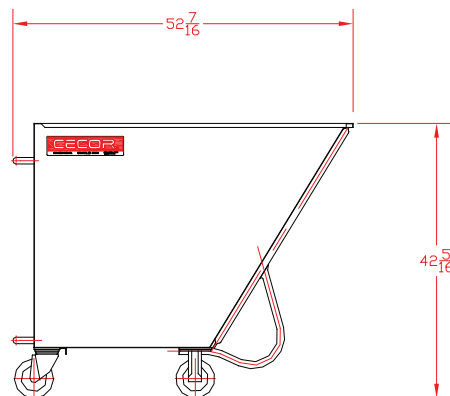


Collect and haul bulky, light-density loads

- Rugged, all-metal construction with fully welded, leakproof seams. Tough enough for use in the factory.
- Reinforced dumping knees for complete, controllable manual emptying at floor or dock level.
- Maneuvers easily and rolls smoothly, even when fully loaded.
- Smart design maximizes cube capacity while minimizing footprint thereby preserving valuable floor space.
- Proudly designed and manufactured in the U.S.A.



| | |
|-------------------------|---|
| Specification: | 318 Series |
| Capacity: | 18 cubic feet |
| Load Rating: | 360 lbs. |
| Bin Dimensions: | 48" long x 24" wide x 34 1/2" deep |
| Lip Height: | 42 1/4" |
| Dumping Method: | Manual / tilt |
| Color: | Black standard, gray optional |
| Wheels: | 6-inch poly* |
| Add'l Options: | Drain plug Hinged drain cover Tow link Steel cover Cardholder |
| Shipping Weight: | 150 lbs. |



*Other sizes and styles available.