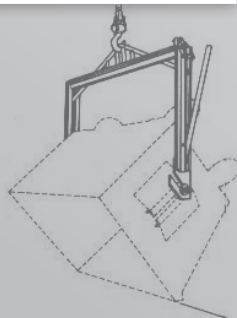
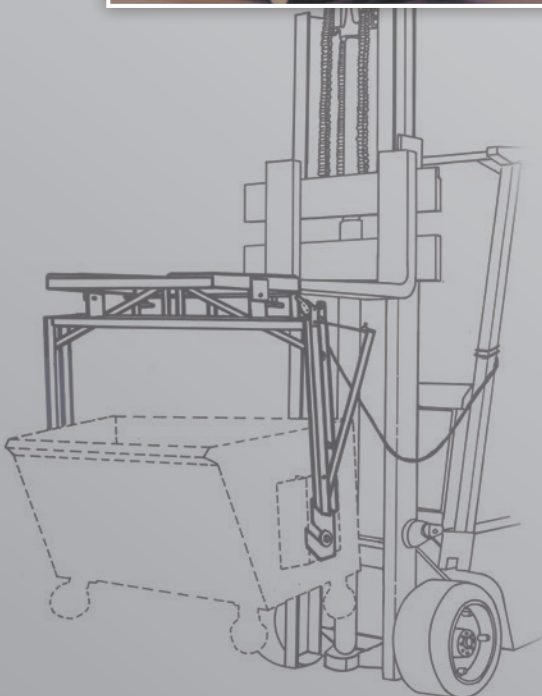


CECOR DUMPING FRAME



CECOR's dumping carts are fitted standard with trunnion pins for use with CECOR's patented dumping frame (sold separately), which allows for elevated, rotational dumping from a forklift or overhead hoist. Multi-position dump settings control container dumping speed for easy, safe and thorough emptying. Spring-loaded trigger operates directly or with rope-pull remote for dumping. Release of trigger overturns cart, which rotates 360° (with sufficient load weight). The empty cart returns to an upright position for return to the ground.

DB-256-8P w/ CECOR Dumping Frame (DF-1056)



COMPARE-AT-A-GLANCE

CECOR also offers high-density tall profile carts to handle heavier loads. See below for sizes and capacities to meet different load needs.



342 Series

4.9 cu. ft. 25 3/4" lip height DF-1042



243 Series

9.4 cu. ft. 29" lip height DF-1043



244 Series

13.4 cu. ft. 30" lip height DF-1044



256 Series*

27.0 cu. ft. 40" lip height DF-1056

**Same size & capacity as DA-254, but higher density for heavier loads.*