

CECOR DUMPING FRAME

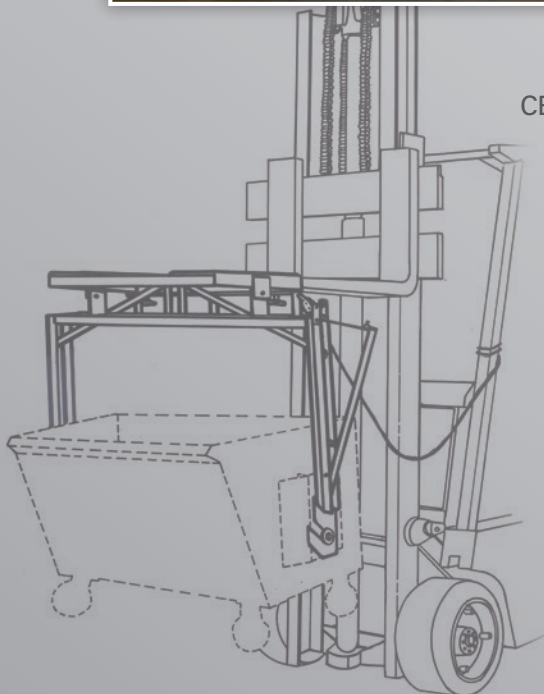


CECOR's heavy-duty dumping carts are fitted standard with trunnion pins for use with CECOR's patented dumping frame (sold separately), which allows for elevated, rotational dumping from a forklift or overhead hoist. Multi-position dump settings control container dumping speed for easy, safe and thorough emptying. Spring-loaded trigger operates directly or with rope-pull remote for dumping. Release of trigger overturns cart, which rotates 360° (with sufficient load weight). The empty cart returns to an upright position for return to the ground.

Example of CECOR cart & dumping frame



DB-044 w/ CECOR Dumping Frame (DF-1056)



CECOR carts that use DF-1044:

- DB-044
- DB-244
- DB-L44
- DB-X44



COMPARE-AT-A-GLANCE

Check out other low profile carts from CECOR – same quality and features, just more sizes and capacities to meet different load needs.



043 Series

6.9 cu. ft. 15" lip height DF-1043



044 Series

9.6 cu. ft. 15" lip height DF-1044



X44 Series

15.8 cu. ft. 15" lip height DF-1044