

**CECOR DUMPING FRAME**

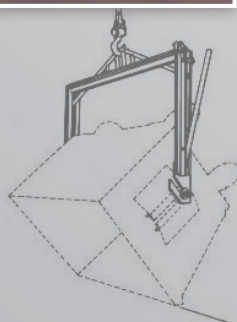
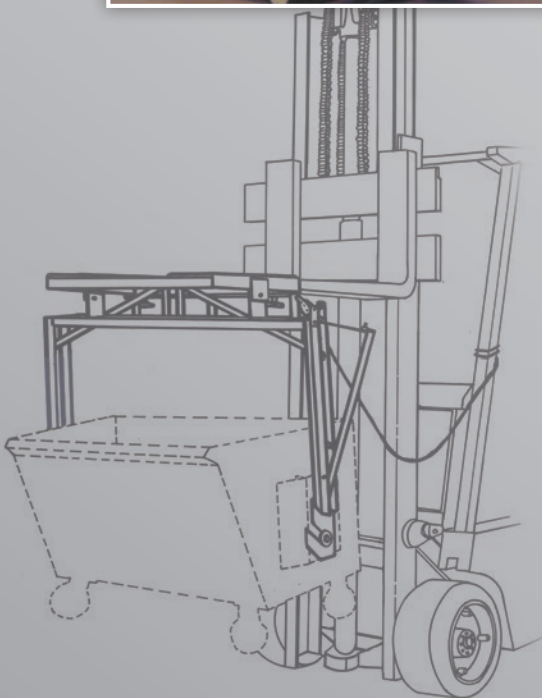


CECOR's heavy-duty dumping carts are fitted standard with trunnion pins for use with CECOR's patented dumping frame (sold separately), which allows for elevated, rotational dumping from a forklift or overhead hoist. Multi-position dump settings control container dumping speed for easy, safe and thorough emptying. Spring-loaded trigger operates directly or with rope-pull remote for dumping. Release of trigger overturns cart, which rotates 360° (with sufficient load weight). The empty cart returns to an upright position for return to the ground.

*Example of CECOR cart & dumping frame*



DB-256-8P w/CECOR Dumping Frame (DF-1056)



**COMPARE-AT-A-GLANCE**

Check out other tall profile carts from CECOR – same quality and features, just more sizes and capacities to meet different load needs.



**342 Series**

4.9 cu. ft. 25 3/4" lip height DF-1042



**243 Series**

9.4 cu. ft. 29" lip height DF-1043



**244 Series**

13.4 cu. ft. 30" lip height DF-1044



**256 Series\***

27.0 cu. ft. 40" lip height DF-1056

*\*Same size & capacity available in low-density for lighter loads. See DA-254.*