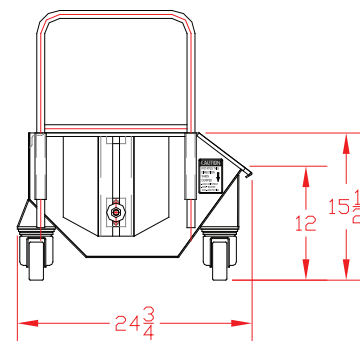
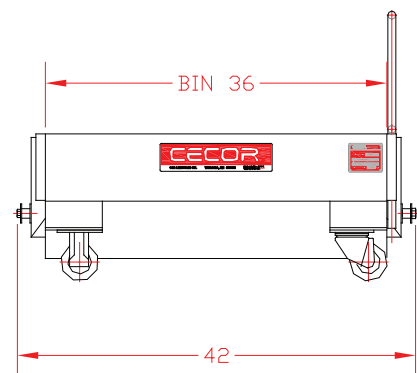


Easy-Loading Container for Extra-Low Clearances

- Extra-low cart -- 2-3/8" from ground, 12" lip height -- fits easily under machine tool discharge and other low-clearance plant equipment. Helps eliminate mess around machine tools.
- Heavy-duty steel construction with fully welded seams that don't leak, melt, split, bulge or burn.
- Maneuvers easily and rolls smoothly, even when fully loaded.
- Smart design maximizes cube capacity while minimizing footprint thereby preserving valuable floor space.
- Pair with CECOR Dumping Frame (sold separately) for elevated, rotational dumping. Dump heavy loads easily.
- Proudly designed and manufactured in the U.S.A.



Specification:	L43 Series
Capacity:	4.9 cubic feet
Load Rating:	1,000 lbs.
Bin Dimensions:	36" long x 24 3/4" wide x 13" deep
Lip Height:	12"
Dumping Methods:	DB = rotational dumping*
Dumping Frame:	DF-1043
Color:	Black standard, gray optional
Wheels:	4-inch phenolic**
Add'l Options:	Drain plug Four swivel casters <i>Inquire about other special options.</i>
Shipping Weight:	120 lbs.



*For use with CECOR Dumping Frame.
**Other sizes and styles available.