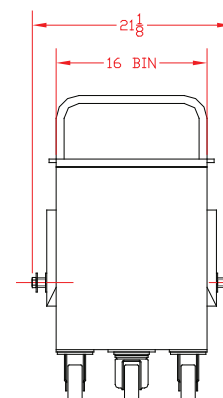
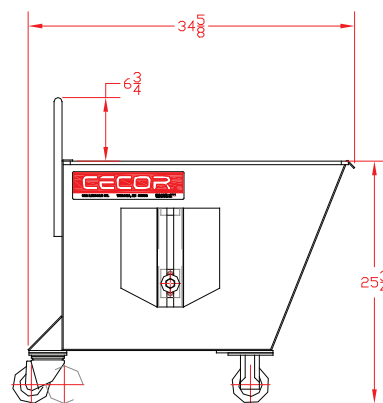


### At Home in Tough Environments

- Three-wheeled carts hauls small, dense loads.
- Heavy-duty steel construction with fully welded seams that don't leak, melt, split, bulge or burn.
- Maneuvers easily and rolls smoothly, even when fully loaded.
- Smart design maximizes cube capacity while minimizing footprint thereby preserving valuable floor space.
- Pair with CECOR Dumping Frame (sold separately) for elevated, rotational dumping. Dump heavy loads easily.
- Proudly designed and manufactured in the U.S.A.



<b>Specification:</b>	342 Series
<b>Capacity:</b>	4.9 cubic feet
<b>Load Rating:</b>	800 lbs.
<b>Bin Dimensions:</b>	30" long x 16" wide x 20" deep
<b>Lip Height:</b>	25 3/4"
<b>Dumping Methods:</b>	DB = rotational dumping*
<b>Dumping Frame:</b>	DF-1042
<b>Color:</b>	Black standard, gray optional
<b>Wheels:</b>	4-inch phenolic**
<b>Add'l Options:</b>	Drain plug Hinged Drain Cover <i>Inquire about other special options.</i>
<b>Shipping Weight:</b>	92 lbs.



\*For use with CECOR Dumping Frame.  
\*\*Other sizes and styles available.