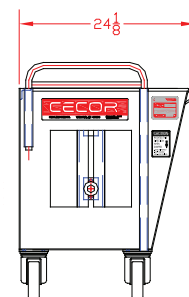
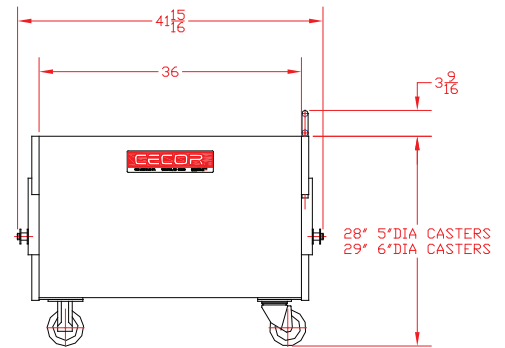


At Home in Tough Environments

- Heavy-duty steel construction with fully welded seams that don't leak, melt, split, bulge or burn.
- Maneuvers easily and rolls smoothly, even when fully loaded.
- Smart design maximizes cube capacity while minimizing footprint thereby preserving valuable floor space.
- Pair with CECOR Dumping Frame (sold separately) for elevated, rotational dumping. Dump heavy loads easily.
- Proudly designed and manufactured in the U.S.A.



Specification:	243 Series
Capacity:	9.4 cubic feet
Load Rating:	1,500 lbs.
Bin Dimensions:	36" long x 23" wide x 22" deep
Lip Height:	29"
Dumping Methods:	DB = rotation dumping* RB = hydraulic dumping** WB = both rotational & hydraulic FB = fork pocket dumping***
Dumping Frame:	DF-1043
Color:	Black standard, gray optional
Wheels:	5-inch phenolic****
Add'l Options:	Drain plug Hinged drain cover Four swivel casters <i>Inquire about other special options.</i>
Shipping Weight:	172 lbs.



*For use with CECOR Dumping Frame.
 **For use with hydraulic dumping system.
 ***For use with rotatable fork system. May require modifications.
 ****Other sizes and styles available.