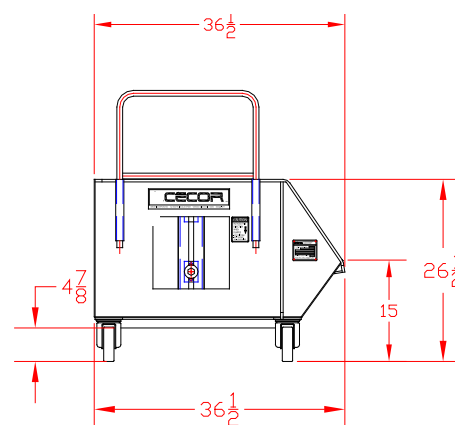
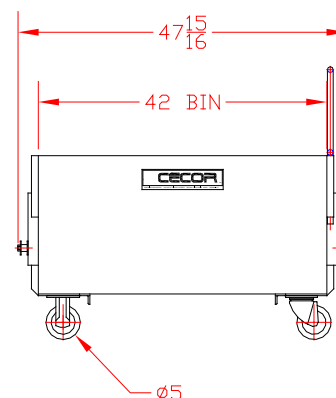


### Easy-Loading Container for Low Clearances

- Low side for easy loading. Fits easily under machine tool discharge and other low-clearance plant equipment. Helps eliminate mess around expensive machine tools.
- Heavy-duty steel construction with fully welded seams that don't leak, melt, split, bulge or burn.
- Smart design maximizes cube capacity while minimizing footprint thereby preserving valuable floor space.
- Features conveniently placed push handles.
- Maneuvers easily and rolls smoothly, even when loaded.
- Pair with CECOR Dumping Frame (sold separately) for elevated, rotational dumping. Dump heavy loads easily.
- Proudly designed and manufactured in the U.S.A.



<b>Specification:</b>	X44 Series
<b>Capacity:</b>	15.8 cubic feet
<b>Load Rating:</b>	1,000 lbs.
<b>Bin Dimensions:</b>	42" long x 36 1/2" wide x 20" deep
<b>Lip Height:</b>	15"
<b>Dumping Methods:</b>	DB = rotational dumping* FB = fork pocket dumping**
<b>Dumping Frame:</b>	DF-1044
<b>Color:</b>	Black standard, gray optional
<b>Wheels:</b>	5-inch phenolic***
<b>Add'l Options:</b>	Drain plug Hinged drain cover Four swivel casters <i>Inquire about other special options.</i>
<b>Shipping Weight:</b>	200 lbs.



\*For use with CECOR Dumping Frame.  
\*\*For use with rotatable fork system. May require modifications.  
\*\*\*Other sizes and styles available.

**CECOR DUMPING FRAME**



CECOR's heavy-duty dumping carts are fitted standard with trunnion pins for use with CECOR's patented dumping frame (sold separately), which allows for elevated, rotational dumping from a forklift or overhead hoist. Multi-position dump settings control container dumping speed for easy, safe and thorough emptying. Spring-loaded trigger operates directly or with rope-pull remote for dumping. Release of trigger overturns cart, which rotates 360° (with sufficient load weight). The empty cart returns to an upright position for return to the ground.

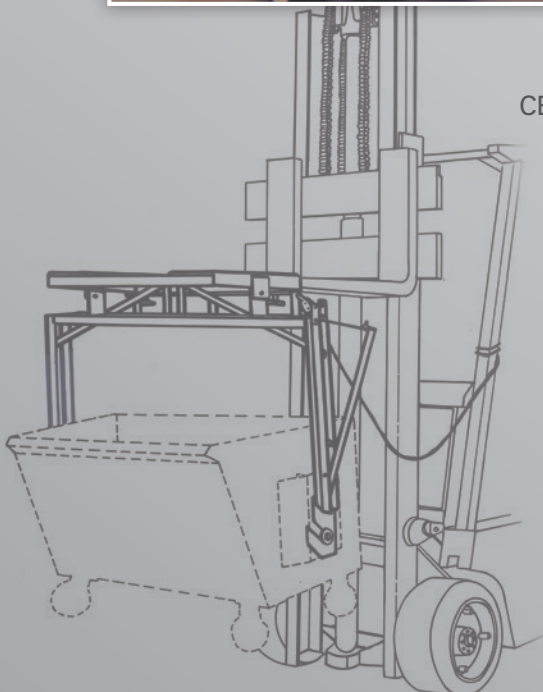
*Example of CECOR cart & dumping frame*



DB-256-8P w/ CECOR Dumping Frame (DF-1056)

CECOR carts that use DF-1044:

- DB-044
- DB-244
- DB-L44
- DB-X44



**COMPARE-AT-A-GLANCE**

Check out other low profile carts from CECOR – same quality and features, just more sizes and capacities to meet different load needs.



**043 Series**

6.9 cu. ft. 15" lip height DF-1043



**044 Series**

9.6 cu. ft. 15" lip height DF-1044



**X44 Series**

15.8 cu. ft. 15" lip height DF-1044